

Victoria Pump

Powerful and Energy Efficient



FEATURES

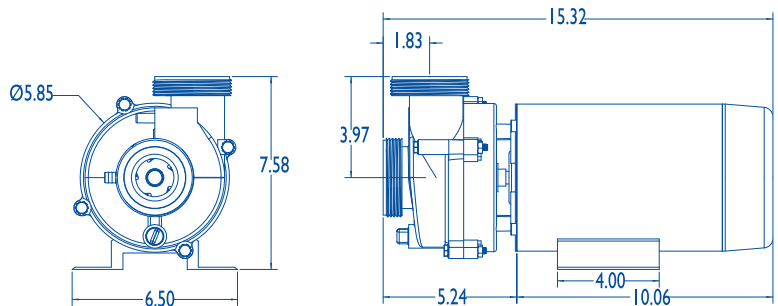
- All seals are carbon ceramic with Viton® elastomers for long-lasting performance, easily enduring prolonged heat and chemical exposure
- Multi-direction volute mounting and options deliver the greatest range of plumbing configurations
- Available in a compact 48 frame design motor or a cool running 56 frame motor.
- Choose single- or two-speed motor from 1 to 2 HP. With two-speed models, sanitation and heating can occur while maintaining lower running costs. Low cost motor combination option available for economical spa systems
- 115 volt options for portable plug and play spa models
- UL and CSA certified

SPECIFICATIONS

- Center suction / radial side discharge orientation or center suction / center line top discharge
- Suction Port: 1.5" or 2"
- Discharge Port: 1.5" or 2"
- Mechanical Seal: Carbon ceramic with Viton® elastomers

Victoria pumps provide long life, excellent performance, value pricing and configuration flexibility all in a cost-effective package. With flow rates that can exceed 230 gallons per minute, Victoria pumps are ideal for value-priced applications in any size spa.

With lower price points, ease of installation, high flow rates, and energy efficient packages, Victoria pumps offer the options you need and spa owners truly appreciate. Contact your Balboa Water Group representative today for additional information.



60Hz PERFORMANCE CURVE North America Model

